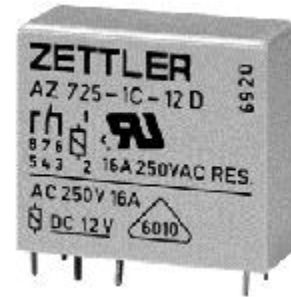


AZ725

20A MINIATURE POWER RELAY

FEATURES

- Dielectric strength 5000 Vrms
- 20 Amp switching — single pole contacts
- Isolation spacing greater than 8mm
- Molded materials: all 94 V-0
- VDE 6010 - unsealed version only
- Sealed version available
- UL, CUR file E43203



CONTACTS

Arrangement	SPST (1 Form C) SPST (1 Form A and 1 Form B)
Ratings	Resistive load: Max. switched power: 480 W or 5000 VA Max. switched current: 20 A Max. switched voltage: 150* VDC or 400 VAC *Note: If switching voltage is greater than 30 VDC, special precautions must be taken. Please contact the factory.
Rated Load UL	20 A at 250 VAC, resistive 70°C
Material	Silver Tin oxide
Resistance	< 30 milliohms initially

COIL

Power At Pickup Voltage (typical)	270 mW
Max. Continuous Dissipation	2.6 W at 20°C (68°F) ambient 2.0 W at 40°C (104°F) ambient
Temperature Rise	32°C (58°F) nominal coil voltage
Temperature	Max. 130°C (266°F)

NOTES

1. All values at 20°C (68°F).
2. Relay may pull in with less than "Must Operate" value.
3. Specifications subject to change without notice.

GENERAL DATA

Life Expectancy Mechanical Electrical	Minimum operations 2 x 10 ⁷ 1 x 10 ⁵ at 16 A 250 VAC Res.
Operate Time (typical)	7 ms at nominal coil voltage
Release Time (typical)	3 ms at nominal coil voltage (with no coil suppression)
Dielectric Strength (at sea level for 1 min.)	5000 Vrms coil to contact 1000 Vrms between open contacts
Insulation Resistance	1000 megohms min. at 20°C, 500 VDC, 50% RH
Dropout	Greater than 10% of nominal coil voltage
Ambient Temperature Operating Storage	At nominal coil voltage -40°C (-40°F) to 85°C (185°F) -40°C (-40°F) to 130°C (266°F)
Vibration	0.062" DA at 10–55 Hz
Shock	10 g
Enclosure	P.B.T. polyester
Terminals	Tinned copper alloy
Max. Solder Temp.	270°C (518°F)
Max. Solder Time	5 seconds
Max. Immersion Time	30 seconds
Max. Solvent Temp	80°C (176°F)
Weight	19 grams

AZ725

RELAY ORDERING DATA

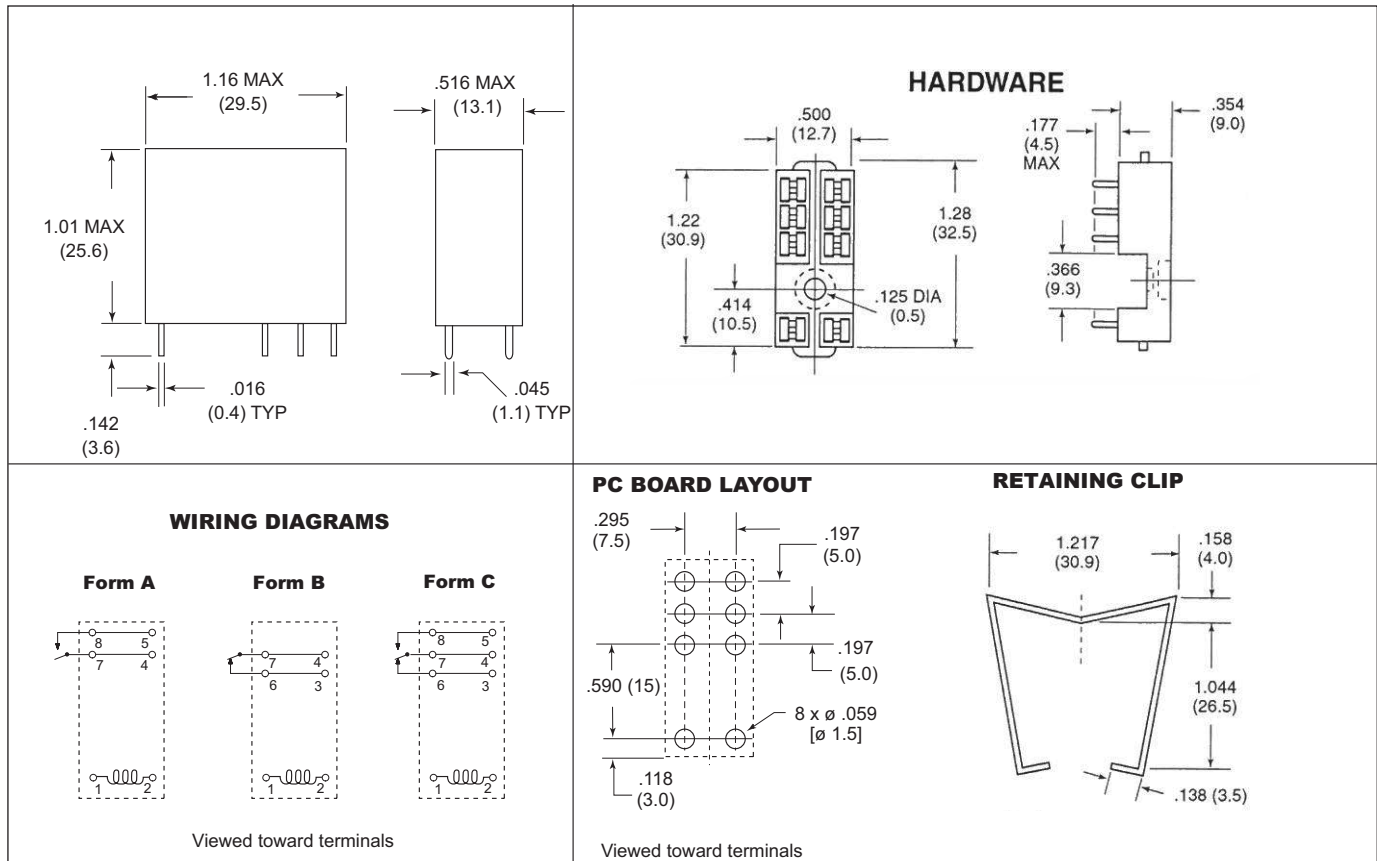
COIL SPECIFICATIONS — DC Coil				ORDER NUMBER*		
Nominal Coil VDC	Must Operate VDC	Max. Continuous VDC	Nominal mA $\pm 10\%$	Coil Resistance $\pm 10\%$	Form A (SPST)	Form C (SPDT)
5	3.5	11.3	102.0	49	AZ725-1AE-5D	AZ725-1CE-5D
6	4.2	13.3	88.21	68	AZ725-1AE-6D	AZ725-1CE-6D
12	8.4	26.0	46.2	260	AZ725-1AE-12D	AZ725-1CE-12D
24	16.8	53.5	21.8	1,100	AZ725-1AE-24D	AZ725-1CE-24D
48	33.6	107.0	10.9	4,400	AZ725-1AE-48D	AZ725-1CE-48D
60	42.0	135.0	8.6	7,000	AZ725-1AE-60D	AZ725-1CE-60D

* Substitute "1BE" in place of "1AE" for Form B contacts. Add suffix "E" for epoxy sealed version. When suffix "E" is specified for Epoxy Seal, refer to AZ "Relay Technical Notes" on AZ website - Product Resources. Consult factory for other PCB process conditions that may apply.

HARDWARE ORDERING DATA

DESCRIPTION	ORDER NUMBER
Socket	ST484-U1
Retaining Clip	ST482-2

MECHANICAL DATA



Dimensions in inches with metric equivalents in parentheses. Tolerance: $\pm .010$ "

AMERICAN ZETTLER, INC.

www.azettler.com

75 COLUMBIA • ALISO VIEJO, CA 92656 • PHONE: (949) 831-5000 • FAX: (949) 831-8642 • E-MAIL: SALES@AZETTLER.COM